

Precision PS 8-12 Commercial Screed

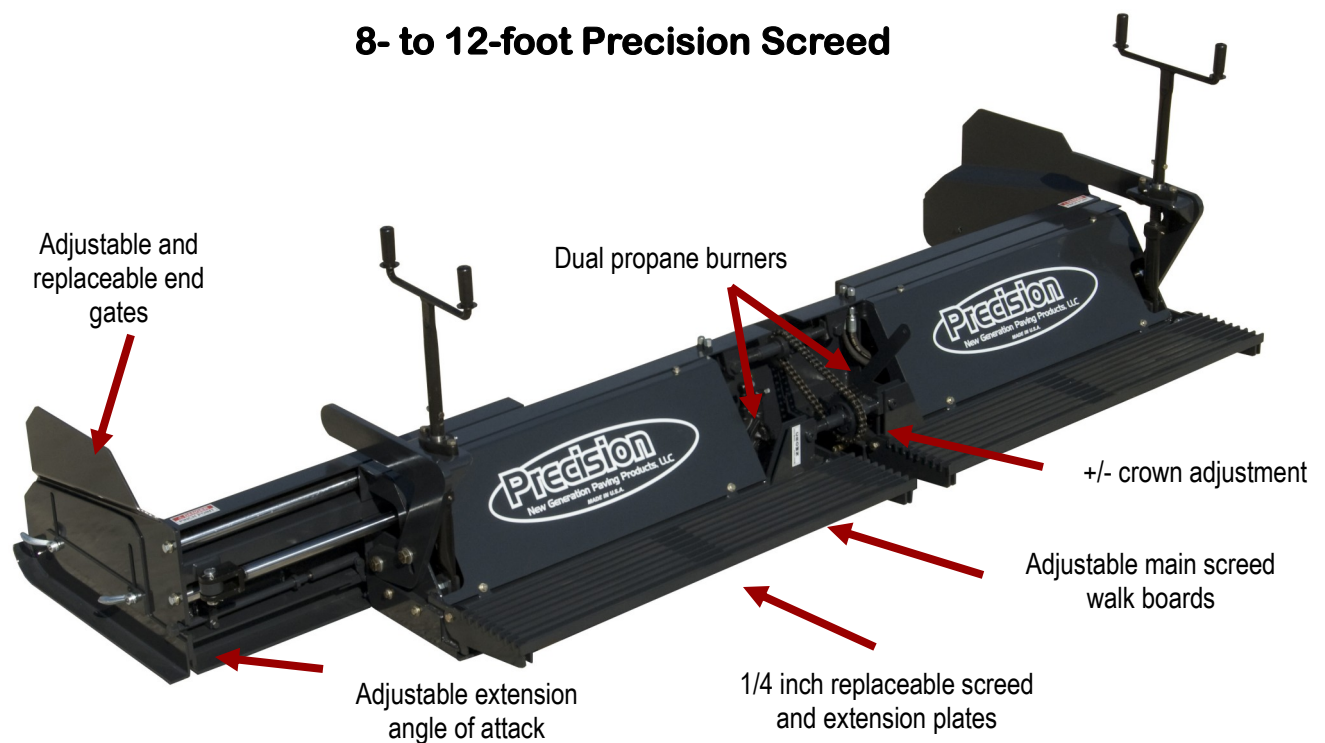
**New Generation
Paving Products, LLC.**

Precision Screed for Small Commercial Class Asphalt Pavers

New Generation Paving Products now offers a replacement screed for small asphalt paver models. The durable Precision PS 8-12 screed has many features not available on OEM screeds.

These Precision Screeds offer extensions with a true angle of attack for a seamless mat. Sturdy extension slides prevent extension sagging and ensure smooth, even joints.

8- to 12-foot Precision Screed



Precision Screed Features:

- 8- to 12-foot adjustable screed with extensions
- Dual burner propane heating system
- Main and extension screed angle of attack adjustments
- Main and extension screed replaceable wear plates
- +/- 2.5-inch crown adjustment
- Folding main screed walk boards
- Main screed vibrator

New Generation Paving Products, LLC
688-A N. Highway 16
Denver, NC 28037
704-489-0274 * 704-489-0298 Fax
Website: www.newgenerationpaving.com

Specifications

Model	PS 8-12 Screed
Weight	900 pounds (408 kg)
Standard Paving Width	8 feet (2.44 m)
Extended Paving Width	12 feet (3.66 m)
Crown Adjustment	+/- 2.5 inches (6.35 cm)
Walk Board Width	8 inches (20.3 cm)
Main Screed Plate	AR400
Extension Screed Plate	T5
Screed Heat System	Propane